



Swiftech MCP35X2 Pump - White

\$199.95

Product Images



Short Description

The MCP35X2 is the dual motor version of Swiftech's flagship [MCP35X](#) pump. The product is designed to provide extreme flow rates in loops that include multiple devices, for example multiple radiators and triple or quad SLI/Crossfire liquid cooled graphics cards; pump redundancy also provides maximum safety in mission critical systems: if one pump fails, flow will continue to circulate thru the system thanks to the second pump. The unit features:

Description

The MCP35X2 is the dual motor version of Swiftech's flagship [MCP35X](#) pump. The product is designed to provide extreme flow rates in loops that include multiple devices, for example multiple radiators and triple or quad SLI/Crossfire liquid cooled graphics cards; pump redundancy also provides maximum safety in mission critical systems: if one pump fails, flow will continue to circulate thru the system thanks to the second

pump. The unit features:

- The [MCP35X2-H](#) dual pump housing:
 - designed to provide considerably enhanced hydraulic performance;
 - compatible with multiple tubing options thanks to the G1/4 port standard;
 - compatible with the optional [MCP35X-Res](#) reservoir;
 - available in two colors; classic black or fashionable white
 - also sold separately, and compatible with all MCP35 series pumps
- Two MCP35X pump motors:
 - 12VDC and PWM controlled, allowing variable speed control thru the motherboard from 1300 to 4500 rpm, and linked with Swiftech's PWM splitter cable for simultaneous pump speed adjustments using only one PWM motherboard header.

Features

- Small Footprint: L4.9" x W2.8" x H1.6" (L126 x W72 x H41mm);
- 50,000 hours MTBF (Mean Time Between Failure) ;
- 12 Volts DC convenience: plugs into the computer power supply
- Variable speed control via PWM thru the motherboard, from 1300 rpm for completely silent operation, to 4500 rpm for ultra high flow performance;
- Simultaneous pump speed control using one PWM motherboard header is achieved using the included PWM splitter cable.
- Superior head pressure and flow rate (in the useable range) to any pump in its footprint: the X2 features twice the head pressure as the MCP35X.
- G1/4" ports standard for compatibility with a large assortment of fittings;
- No maintenance when used with distilled water, and anti-fungal additives (our HydrX additive is recommended);
- Quick installation with adhesive neoprene pad, or permanent installation with supplied hardware;
- Optional "built-in" MCP35X-Res reservoir;
- Ready for upcoming 5 1/4" bay reservoir solutions by Swiftech.
- 2 year warranty

Specifications

The MCP35X2 housing is precision machined from either black or white POM, and is also available for sale separately. It is compatible with all previous MPC35 class pumps.



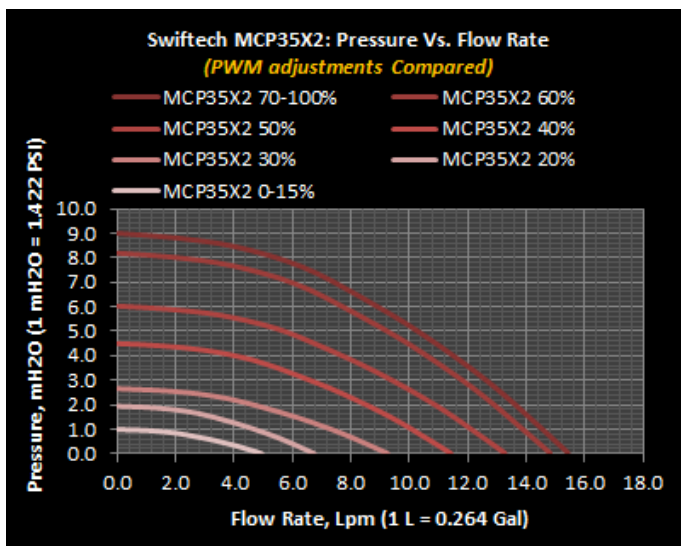
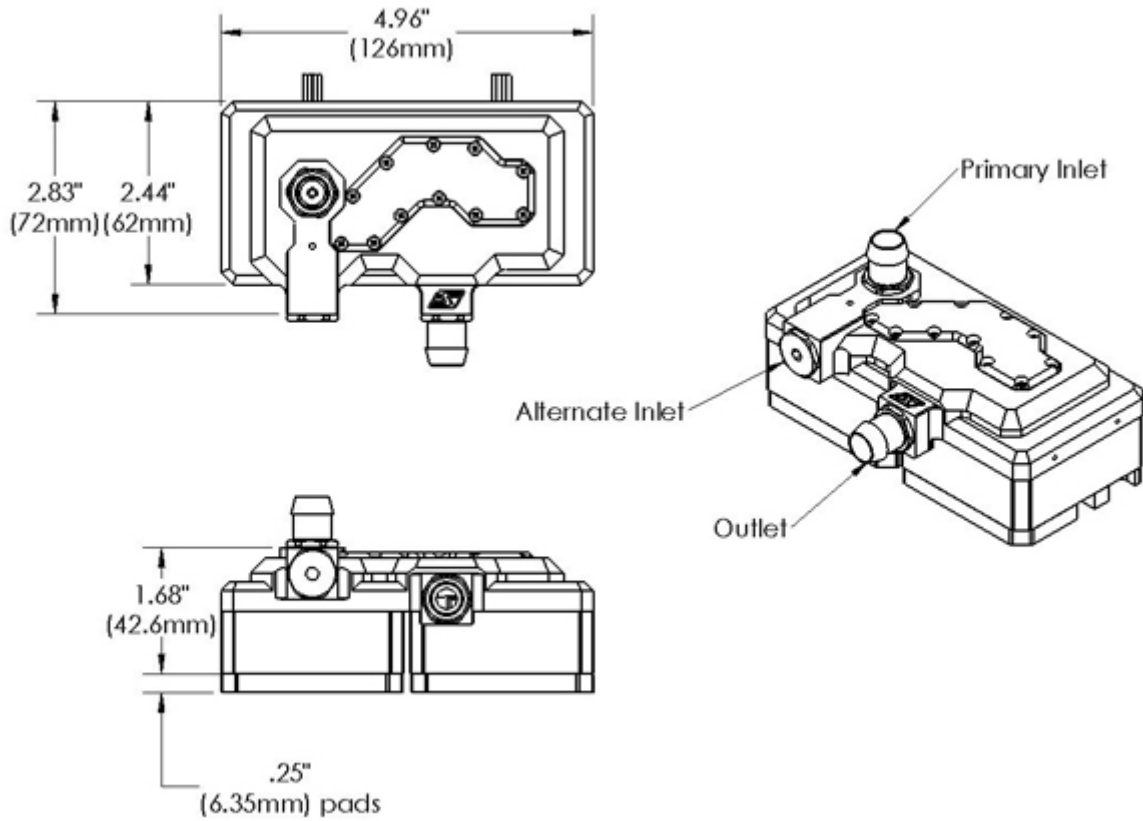
Technical Specifications

| | |
|-------------------------------|--|
| Motor type | 2x Electronically commutated, brushless DC, spherical motors |
| Nominal voltage | 12 V DC |
| Operating voltage range | 9 to 13.4 VDC |
| Max. nominal power (@12 V) | 18 W x 2 |
| Max. nominal current (@12 V) | 1.5 A x 2 |
| Max. nominal head (@12 V) | 27.9 ft (8.5m) |
| Max nominal discharge (@12 V) | ~ 4.17 GPM (15.8 LPM) |
| Maximum pressure | 22 PSI (1.5 BAR) |
| Temperature range | Up to 140 °F (60 °C) |
| Electrical power connector | 2x Molex 4 pin |
| PWM + RPM Signals | 2x 4-pin connector |
| RoHS | Compliant |
| Port thread standard | G1/4 |
| MTBF | 50,000 Hours |
| Weight | 15 oz |

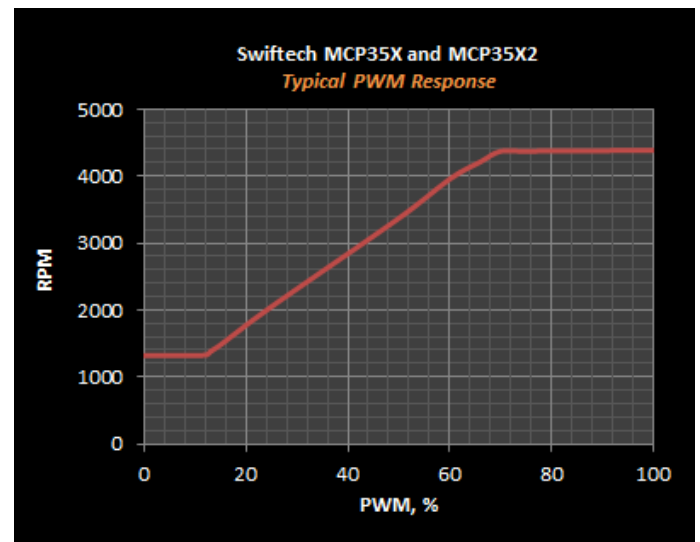
Dimensions (not including fittings)

L4.9" x W2.8" x H1.6" (L126 x W72 x H42mm)

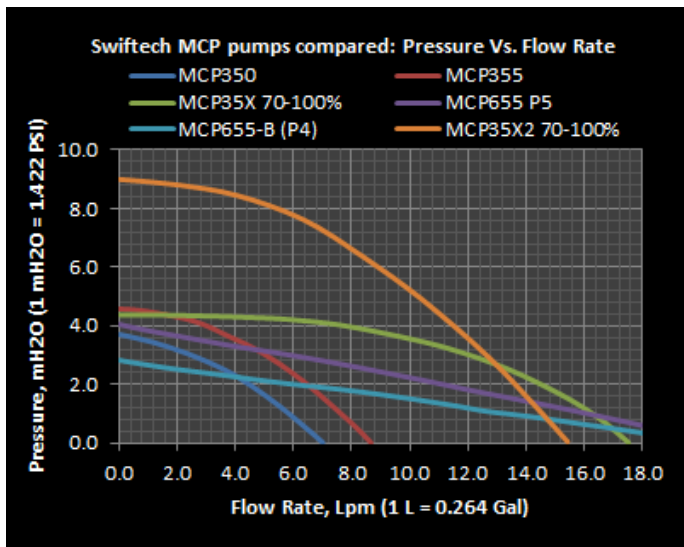
Dimensions



PQ Cuve at various speeds



PWM response



Comparative data against all Swiftech® pumps

Additional Information

| | |
|--------------|------------|
| Brand | Swiftech |
| SKU | MCP35X2-WT |
| Weight | 4.0000 |
| Color | White |
| Pump Type | DDC |
| Pump Voltage | 12 VDC |

Internet Reviews



The 35X was my favorite pump over the last year ... Swiftech has once again taken something great and made it better...I just found my new favorite pump or is that "Pumps"?:) " January 2012



"I really like the pump/reservoir combo [...] in a smart variable and warranty covered package." Feb 2011



"To sum it up in a simple phrase, the MCP35X is a big deal. [...] PWM control of your pump is the game changer here. [...] The ability to change speeds when load/temperature increases without having to manually adjust the settings is a godsend, and now we can do this with our pump too that is huge! [...] The MCP35X is the best overall performing Laing pump I have tested to date..." Jan 2011

