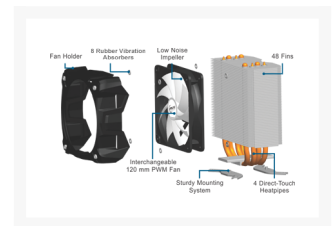




ARCTIC COOLING ACFZI30 120mm Fluid Dynamic Freezer i30 Intel CPU Cooler for Enthusiasts

\$49.95

Product Images



Short Description

The Freezer i30 is an enthusiast-grade CPU cooler for the latest Intel socket 2011, as well as socket 1155 and 1156. Patented technologies, direct touch heatpipes, precision machining, a fan vibration absorption and a brand new mounting system offers you plenty of overclocking headroom at a minimal noise level.

Description

The Freezer i30 is an enthusiast-grade CPU cooler for the latest Intel socket 2011, as well as socket 1155 and 1156. Patented technologies, direct touch heatpipes, precision machining, a fan vibration absorption and a brand new mounting system offers you plenty of overclocking headroom at a minimal noise level.

Features



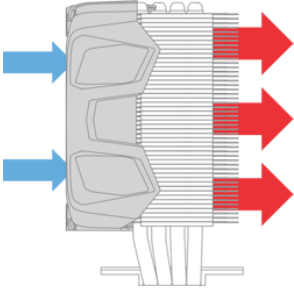
Direct Touch Heatpipe Heatsink

The Freezer i30 heatsink consists of 4 double-sided direct touch heatpipes, 8mm in diameter. A patented process (20 2011 000 71.8) allows us to pack the heatpipes without gaps and thus increase the contact surface and achieve better flatness by precision machining - both leading to an improved heat transfer.

Efficient Heat Dissipation

As a combined result of the 4 direct touch heatpipes, 48 Aluminum fins, an interchangeable 120 mm PWM Fan (ARCTIC F12 PWM), and the famous ARCTIC MX-4 thermal compound (included), the Freezer i30 offers superior cooling performance with a maximum cooling capacity of 320 Watts and lots of headroom for overclocking.

Airflow Direction



Cooling Performance at Intel Core i7-3960X (overclocked)

Freezer i30 (at 1,350 RPM)

✗ 44.8 °C*

Boxed Cooler (at 2,020 RPM)

✗ 73.4 °C*

☀☀☀ Better

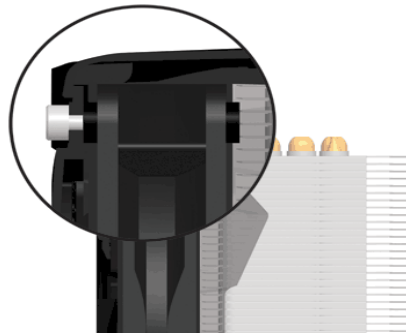
Ambient temperature: 25 °C | *Heat spreader temperature



Virtually Silent

Due to the low-noise impeller of the ARCTIC F12 PWM fan and the rubber vibration absorbers, the Freezer i30 generates a negligible noise level of only 0.3 Sone even at full speed (1,350 RPM). Furthermore, as controlled by PWM signal, this fan runs only at the optimized speed based on actual needs, which in turns minimizes the noise level further.

Rubber Vibration Absorbers



Noise Level at Intel Core i7-3960X

Freezer i30 (at 1,350 RPM)

✗ 0.3 Sone

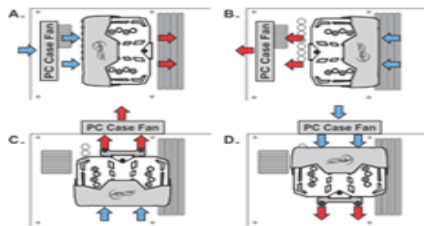
Boxed Cooler (at 2,020 RPM)

✗ 1 Sone

☀☀☀ Better

4 Mounting Directions

The Freezer i30 can be mounted in all 4 directions in order to satisfy different air flow preferences due to various PC case and hard ware configurations.



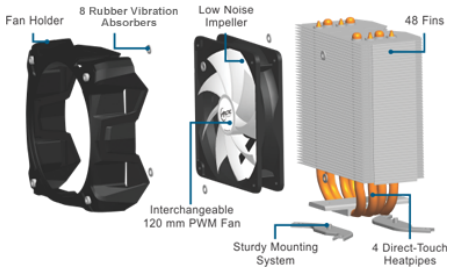


Sturdy Mounting Mechanism

There is no need to worry about the weight of this muscular, yet gentle cooler. The Freezer i30 applies a durable steel mounting clip and a back-plate*. As a result it has an excellent mounting stability and is fully transport-proof.

* Socket 2011: Back-plate is integrated in original Intel socket already.
Socket 1155, 1156: Additional back-plate is bundled with product.

Interchangeable Fan
Not that you have to replace the fan, but that flexibility is offered!



Specifications

Max. Cooling Capacity	320 Watts
Heatpipe	Direct-Touch Ø 8 mm x 4 (double-sided)
Heatsink Material	Aluminum fins x 48, thickness: 0.5 mm
Fan (mm)	ARCTIC F12 PWM: 120 mm, 400 - 1,350 RPM (PWM controlled)
Airflow	74 CFM / 125.7 m ³ /h
Bearing	Fluid Dynamic Bearing
Noise Level	0.3 Sone (@1,350 RPM)
Current, Voltage	0.22A / 3.5 - 12V
Dimensions (Product)	100 (L) x 139 (W) x 161 (H) mm
Dimensions (Packaging)	123 (L) x 161 (W) x 187 (H) mm
Net Weight	0.9 kg
Limited Warranty	6 years
itemnumber	UCACO-FI30001-GB
UPC	0872767005051
Gross Weight	1.4 kg

Additional Information

Brand	Arctic
SKU	ACFZI30
Weight	1.5000
Material	Aluminum
Fan Dimensions	120mm
Fan Connection	4-Pin PWM

