



CoolJag 70 X 10mm 4200RPM Dual-Ball Bearing Fan

\$7.95

Product Images



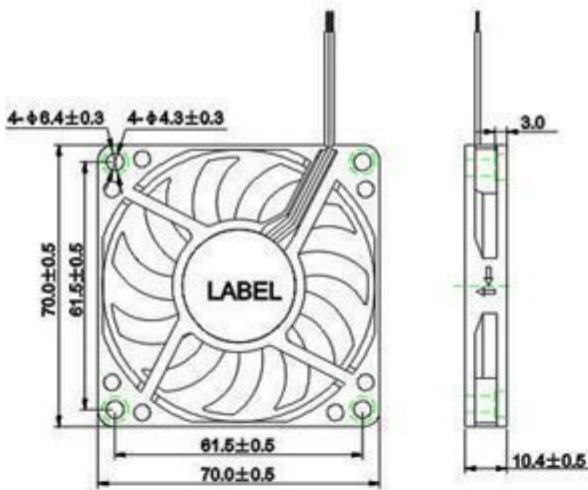
Short Description



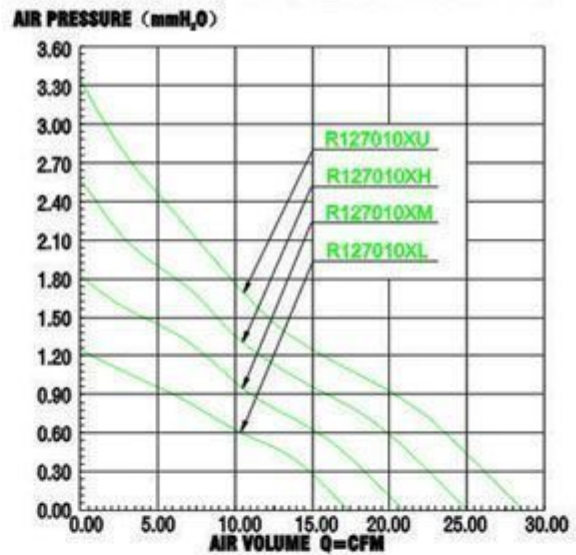
70x70x10MM SERIES

Bearing Type: Two Ball Bearing
Sleeve/EBR/Hydro Bearing
Ball And Sleeve Bearing

Material: Housing Plastic (UL: 94V-0)
Impeller Plastic (UL: 94V-0)
Protection: Current limit/Impedance
Operating Temp: -10-70°C
Weight: 35g



AIR FLOW-AIR PRESSURE (PERFORMANCE CURVES)



MODEL	Rated Voltage (V)	Operating Voltage Range(V)	Rated Current (Amp)	Rated Input Power(W)	Rated Speed (rpm)	Maximum Air Flow		Maximum Static Pressure (mmH2O)	Sound Level dB(A)
						CFM	m ³ /min		
R127010□L	12.00	7~13.2	0.18	2.16	3000	17.41	0.49	1.25	27.3
R127010□M	12.00	7~13.2	0.25	3.00	3600	20.89	0.59	1.81	31.1
R127010□H	12.00	7~13.2	0.35	4.20	4200	25.15	0.71	2.56	36.7
R127010□U	12.00	7~13.2	0.45	5.40	4800	28.74	0.81	3.34	40.3

□: Bearing type (B: Two ball bearing / D: Ball and Sleeve / S:Sleeve;EBR;Hydro)

Fan cable is fully wrapped in nylon Techflex sleeving and premium heatshrink, colors of your choice!

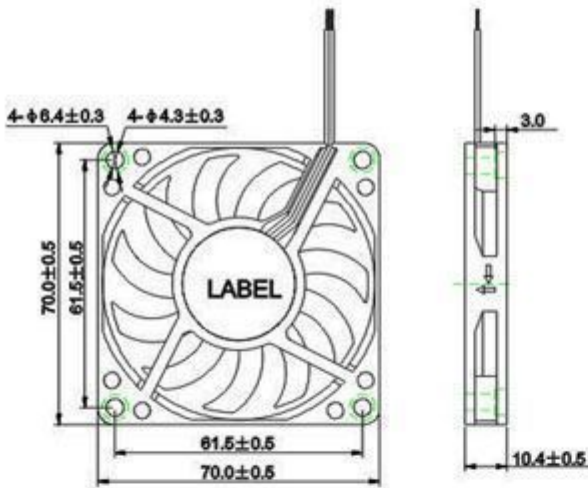
Description



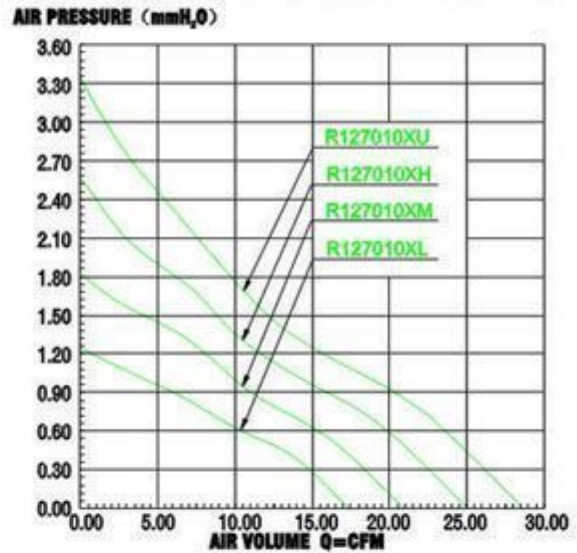
70x70x10MM SERIES

Bearing Type: Two Ball Bearing
Sleeve/EBR/Hydro Bearing
Ball And Sleeve Bearing

Material: Housing Plastic (UL: 94V-0)
Impeller Plastic (UL: 94V-0)
Protection: Current limit/Impedance
Operating Temp: -10-70°C
Weight: 35g



AIR FLOW-AIR PRESSURE (PERFORMANCE CURVES)



MODEL	Rated Voltage (V)	Operating Voltage Range(V)	Rated Current (Amp)	Rated Input Power(W)	Rated Speed (rpm)	Maximum Air Flow		Maximum Static Pressure (mmH2O)	Sound Level dB(A)
						CFM	m ³ /min		
R127010□L	12.00	7~13.2	0.18	2.16	3000	17.41	0.49	1.25	27.3
R127010□M	12.00	7~13.2	0.25	3.00	3600	20.89	0.59	1.81	31.1
R127010□H	12.00	7~13.2	0.35	4.20	4200	25.15	0.71	2.56	36.7
R127010□U	12.00	7~13.2	0.45	5.40	4800	28.74	0.81	3.34	40.3

□: Bearing type (B: Two ball bearing / D: Ball and Sleeve / S:Sleeve;EBR;Hydro)

Fan cable is fully wrapped in nylon Techflex sleeving and premium heatshrink, colors of your choice!

Additional Information

Brand	CoolJag
SKU	R127010BH
Weight	0.7500
Color	Black
Fan Dimensions	70mm
Fan Width	10mm
Fan Voltage	12 VDC
Fan RPM	4200
Fan CFM	25
Fan Noise (dB)	37

