



# Swiftech G $\frac{1}{4}$ Male-Male Lok-Seal Medium Extension Fitting (20-33mm Range) - Black

\$7.95

## Product Images



## Description

---

G<sup>1</sup>/<sub>4</sub> Male-Male adjustable connector fittings for multiple VGA waterblocks in SLI or CrossfireX. This product is part of the Lok-Seal™ family of fittings.

### Recommended use

- Initial Tip: If possible, attach the fittings to the cooling devices first! While not mandatory, it is always preferable to fasten a fitting to a cooling device prior to installing the device inside the case. This will eliminate interference issues that may be encountered when working with tools inside of space constrained enclosures.
- Fasten the fitting by hand until it mates with the surface of the cooling device. The amount of force necessary to screw the fittings down in “finger tight” mating position may vary from one device to another depending on various factors. Users are advised to always visually check on the actual position of the fitting relative to the device surface rather than solely relying on feel. There should be little -not to exceed the thickness of a sheet of paper, or no visible gap between the fitting lower lip and the device surface. See the illustration below.

## Features

---

### Contents & Features

- Blister Pack of ONE (1) fitting
- Adjustable length range:  
Metric: 20-33mm Inch: .79-1.3"
- Locking nut feature:  
Locks male & female in place once spacing adjustment has been set.

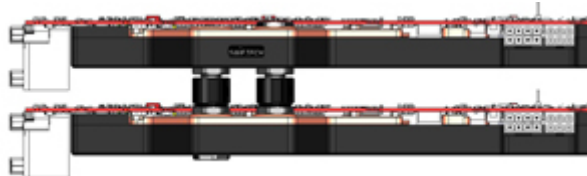
### Specifications

- Material: brass
- Finish: high polish chrome plating or black paint
- Hex nut: compatible with 5/8" or 16mm flat wrench

Applications examples



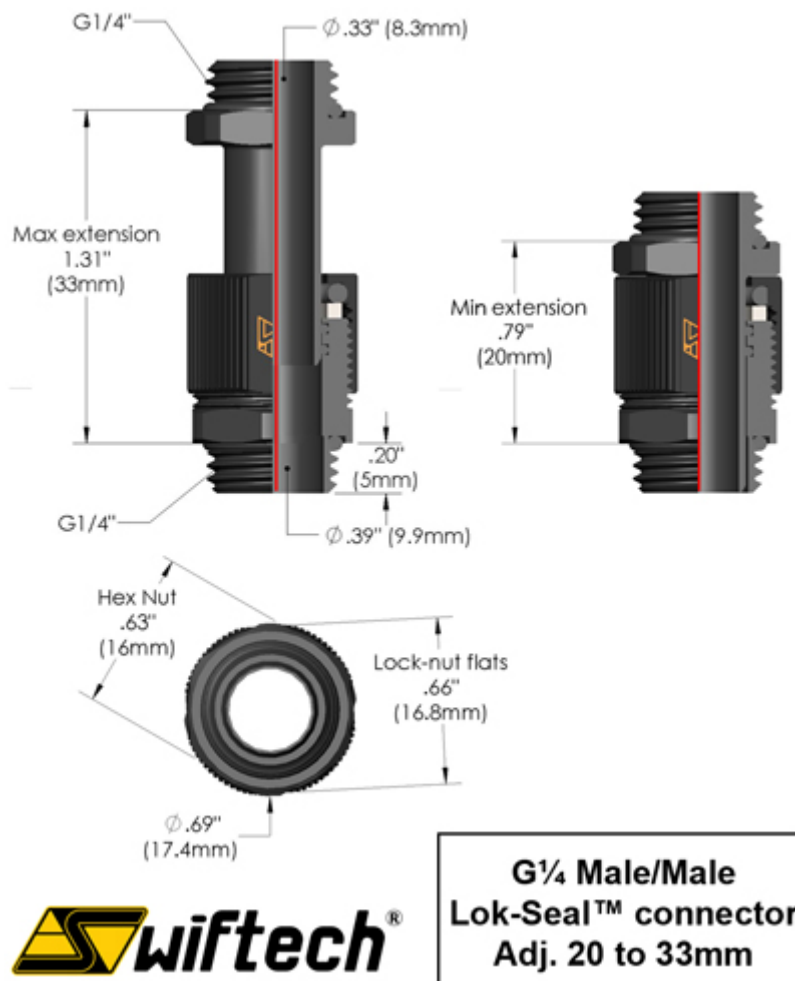
60mm/2.3" PCI spacing: Komodo HD7900 series waterblocks in CrossFireX with stock bridge

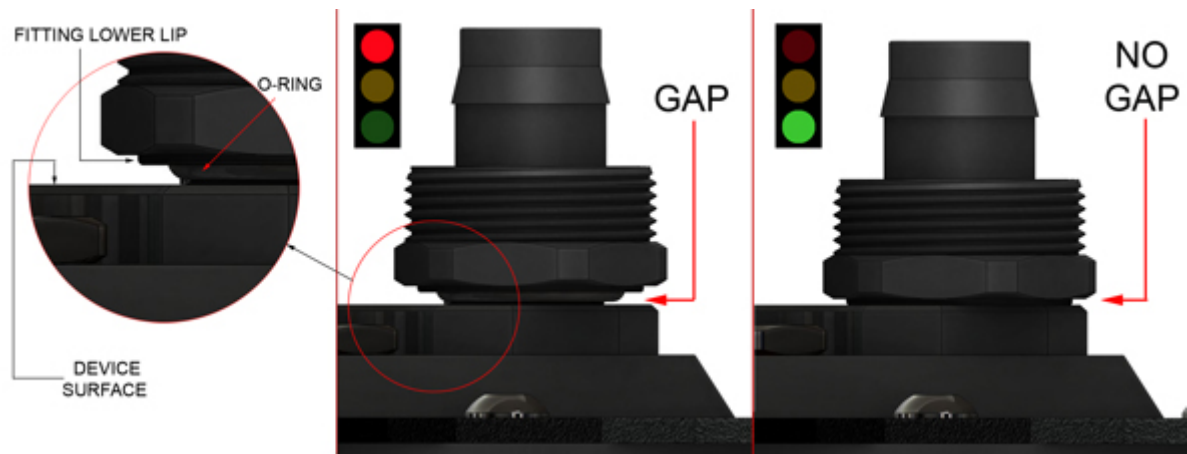


40mm/1.6" PCI spacing: Komodo HD6900 series waterblocks in CrossFireX

## Specifications

### Dimensions





- For complete long-term safety and leak-free operations, Swiftech® recommends that the fittings be locked in place using the recommended tools and that the torque levels specified below be applied:

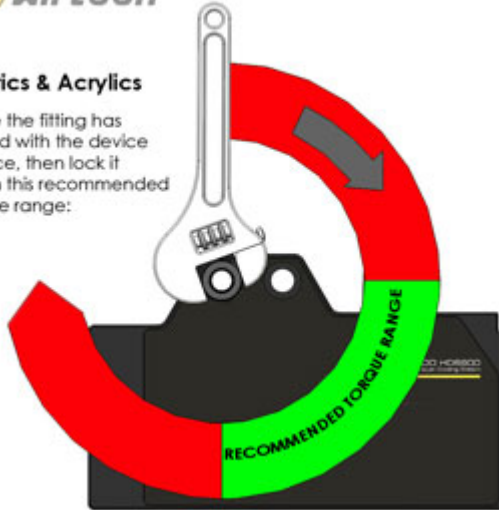
Recommended Torque		
Soft Material	Minimum	Maximum (*)
Acetal (POM) and acrylics	1/4 of a turn after initial contact between mating surfaces	1/2 of a turn after initial contact between mating surfaces
Hard Materials	Recommended	
Copper, brass, aluminum	1/8 of a turn after initial contact between mating surfaces	

(\*) For full 5mm thread depth – please inspect the device threads prior to applying the maximum recommended torque – when partial threads exist due to application necessity, only apply the minimum torque.



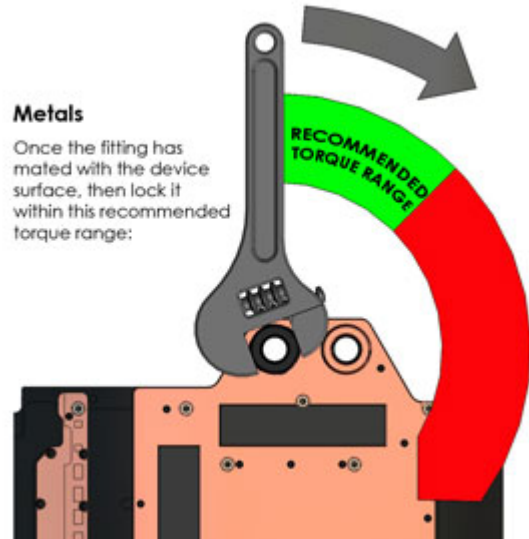
### Plastics & Acrylics

Once the fitting has mated with the device surface, then lock it within this recommended torque range:



### Metals

Once the fitting has mated with the device surface, then lock it within this recommended torque range:



## Recommended Tools

*A small adjustable wrench with jaw opening up to 1" (25.4mm) may be used as a universal tool instead of the specific tools listed below*

## Specific tool sizes

Male/male Connectors	Fitting base hex: Flat wrench	Lock Nut Flat or adjustable wrench
G1/4 MMEXT Short (11-18mm)	Metric: 16mm Inch: 5/8"	N/A
G1/4 MMEXT Medium (20-33mm)	Metric: 16mm Inch: 5/8"	Metric: 17mm Inch: adjustable wrench
G1/4 MMEXT Long (41-65mm)	Metric: 16mm Inch: 5/8"	Metric: 17mm Inch: adjustable wrench

## Additional Information

---

Brand	Swiftech
SKU	G14-MMEXT-MEDIUM-BK
Weight	0.2000
Vga	Universal
Block GPU Type	Nvidia/AMD
Block Accessory Type	SLI Fitting

